

smart-house Aurora line, Light Switch Type B4X-LS4-U

CARLO GAVAZZI



- Light switch for building automation application
- Developed to fit into wall socket and frames from Fuga, NIKO, and Bticino
- Temperature range: -20 to +50°C
- 4 individually programmable pushbutton inputs
- Bus supplied, no external supply required
- Delivered with 2 white and 1 black pushbutton covers
- White LEDs: programmable guide light function
- Blue LEDs: programmable function status

Product Description

The B4X-LS4-U is a light switch with 4 buttons and 4 LED outputs. It is developed to be mounted into a 44 x 44 wall socket from Fuga, NIKO and all the 44 x XX Bticino ones. The light-switch has two colours of LEDs, white and blue, individually programmable.

The light switch is part of the smart-house concept for building automation applications and can be used to control lights, roller blinds and all other functions supported by the smart-house controller. It is fully programmable via the SH tool.

Ordering Key

B4 X LS 4 U

Housing 44 x 44 mm
Standard
Light switch
Switch number
Smart Dupline®

Type Selection

Housing	Colour	LEDs	Bus supplied
44 x 44 mm	White/Black*	4 white / 4 blue	B4X-LS4-U

*Delivered with white and black push-button covers

Input Specifications

Keypad 4 push buttons

Output Specifications

LEDs 4 white / 4 blue

Dupline® Specifications

Voltage	8.2 V
Maximum Dupline® voltage	10 V
Minimum Dupline® voltage	5.5 V
Maximum Dupline® current	2 mA

Supply Specifications

Power supply Bus supplied

General Specifications

Address assignments / channel programming	If it is used with the SH2WEB24 the address assignment is automatic: the controller recognises the module through the SIN (Specific Identification Number) that has to be inserted in the SH tool. If it is used with the BH8-CTRL-230, the channels have to be programmed by the BGP-COD-BAT	Weight	50 g
Environment Degree of protection Pollution degree Operating temperature Storage temperature Humidity (non-condensing)	IP 20 3 (IEC 60664) -20° to +50°C (-4° to 122°F) -30° to +60°C (-22° to 140°F) 20 to 80% RH	Approvals	cULus, according to UL60950 UL notes: Max room temperature: 40°C
Connection Screwless detachable D+ D-	0.2 to 1.5 mm ² Signal GND	CE Marking	Yes
Housing Back part dimensions Back part + front dimensions Back part material Push button covers Accessories	44 x 44 x 25.2 mm 44 x 44 x 28.6 mm Plastic, transparent Plastic white (RAL 9010) Plastic clear white (RAL 9016) Plastic black Transparent plastic ring for Biticino frame	EMC Immunity - Electrostatic discharge - Radiated radiofrequency - Burst immunity - Surge - Conducted radio frequency - Power frequency magnetic fields - Voltage dips, variations, interruptions Emission - Conducted and radiated emissions - Conducted emissions - Radiated emissions	EN 61000-6-2 EN 61000-4-2 EN 61000-4-3 EN 61000-4-4 EN 61000-4-5 EN 61000-4-6 EN 61000-4-8 EN 61000-4-11 EN 61000-6-3 CISPR 22 (EN55022), cl. B CISPR 16-2-1 (EN55016-2-1) CISPR 16-2-3 (EN55016-2-3)

Mode of Operation

The B4X-LS4-U is fully programmable via the SH tool. Each push-button can be individually associated to one or more of the functions supported by the smart-house system.

B4X-LS4-U connected to the SH2WEB24

Coding/Addressing

If the light switch module is connected to the SH2WEB24 controller, no addressing is needed since the module is provided with a specific identification number (SIN): the user has only to insert the SIN in the SH tool when creating the system configuration.

Used channels: 4 input channels, 4 output channels.

LED programming

Also the LEDs are config-

urable via SH Tool:

- White LEDs: The 4 white LEDs can be programmed separately as guide light.

If the guide light functionality has been activated and a single switch has been associated to a function, then the white LED relevant to that switch will be ON, if the function is OFF, and it will be OFF, if the function is ON.

- Blue LEDs: The 4 blue LEDs can be individually programmed as function status indication.

If the Dupline® bus is faulty or missing, the LED will be OFF.

B4X-LS4-U connected to the BH8-CTRLX-230

Coding/Addressing

If the light switch module is

connected to the BH8-CTRLX-230 controller, the user has to program the Dupline® channels using the BGP-COD-BAT: this module has 4 input (push buttons) and 4 output (LEDs) channels.
I/O 1-4: push button 1-4
I/O 5-8: LED 1-4

LED programming

- White LEDs: The 4 white LEDs can be programmed all together as guide light (they will be ON when the light is OFF).

Fail safe bit =0: guide light function disabled.

Fail safe bit=1: guide light function enabled.

The factory setting is fail safe bit=0.

The fail safe bit has to be programmed by the BGP-COD-BAT.

- Blue LEDs: The 4 blue LEDs can be individually

programmed as function status indication.

If the Dupline® bus is faulty or missing, the LED will be OFF.

Wall Socket and frame compatible with the Aurora line

The Aurora 44x44 light switch can fit into the frame and wall socket listed below: for any other model not included here below, Carlo Gavazzi does not grant any compatibility.

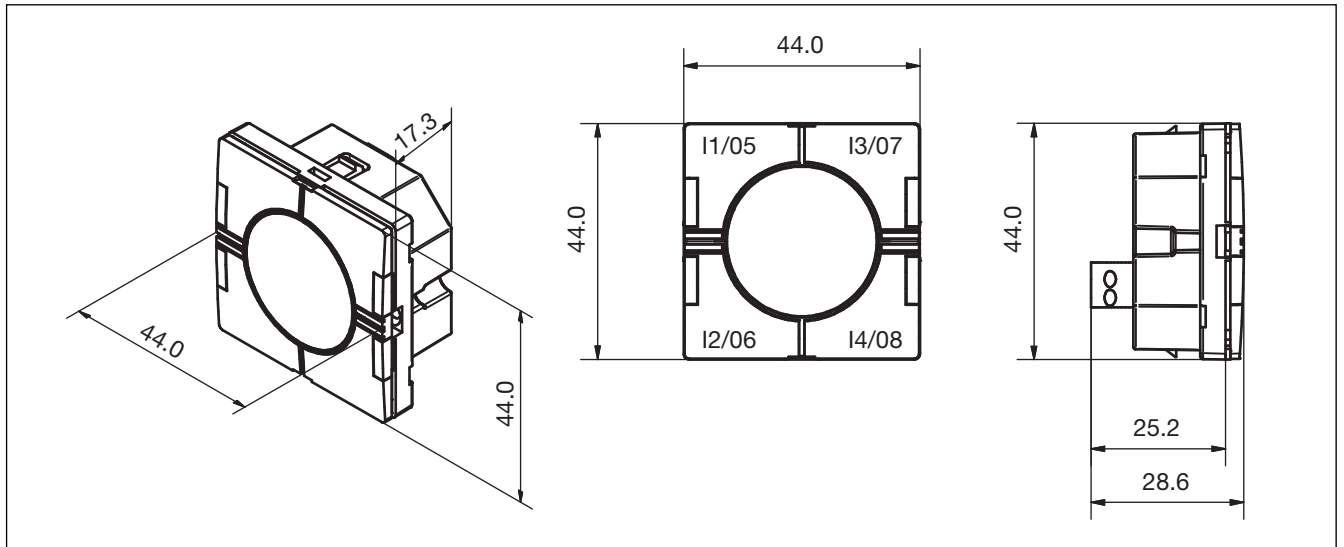
- Niko

- Fuga

- Biticino: Light, Living, Luna series (the transparent ring has to be used).

The B4X-LS4-U is compatible with all the 44 x XX Biticino socket just adding a plastic cap by Biticino.

Dimensions



Wiring Diagram

