

smart-house Eunica line, Light Switch Type B5X-LS4-U

CARLO GAVAZZI



- Light switch for building automation application
- Developed to fit into wall socket and frames from Elko, Gira and Jung
- Temperature range: -20 to +50°C
- 4 individually programmable pushbutton inputs
- Supplied by bus, no external supply required
- Delivered with 2 white and 1 black pushbutton covers
- White LEDs: programmable guide light function
- Blue LEDs: programmable function status

Product Description

The B5X-LS4-U is a light switch with 4 buttons and 4 LED outputs. It is developed to be mounted into a 55 x 55 wall socket from Elko, Gira and Jung. The light-switch has two colours of LEDs, white and blue, individually programmable.

The light switch is part of the smart-house concept for building automation applications and can be used to control lights, roller blinds and all other functions supported by the smart-house controller. It is fully programmable via the SH tool.

Ordering Key

B5 X LS 4 U

Housing 55 x 55 mm

Standard

Light switch

Switch number

Smart Dupline®

Type Selection

Housing

55 x 55 mm

Colour

White/Black*

LEDs

4 white / 4 blue

Supply by bus

B5X-LS4-U

*Delivered with white and black pushbutton covers

Input Specifications

Keypad

4 pushbuttons

Output Specifications

LED

4 white / 4 blue

Dupline® Specifications

Voltage

8.2 V

Maximum Dupline® voltage

10 V

Minimum Dupline® voltage

5.5 V

Maximum Dupline® current

2 mA

Supply Specifications

Power supply

Supplied by bus

General Specifications

Address assignments / channel programming	If it is used with the SH2WEB24 the address assignment is automatic: the controller recognises the module through the SIN (Specific Identification Number) that has to be inserted in the SH tool. If it is used with the BH8-CTRL-230 the channels have to be programmed with the BGP-COD-BAT.	Weight	50 g
Environment Degree of protection Pollution degree Operating temperature Storage temperature Humidity (non-condensing)	IP 20 3 (IEC 60664) -20° to +50°C (-4° to 122°F) -30° to +60°C (-22° to 140°F) 20 to 80% RH	Approvals	cULus, according to UL60950 UL notes: Max room temperature: 40°C
Connection Screwless detachable D+ D-	0.2 to 1.5 mm ² Signal GND	CE Marking	Yes
Housing Back part dimensions Back part + front dimensions Back part material Push button covers	55 x 55 x 24 mm 55 x 55 x 28.5 mm Plastic, transparent Plastic white (RAL 9010) Plastic clear white (RAL 9016) Plastic black Plastic frame	EMC Immunity - Electrostatic discharge - Radiated radiofrequency - Burst immunity - Surge - Conducted radio frequency - Power frequency magnetic fields - Voltage dips, variations, interruptions Emission - Conducted and radiated emissions - Conducted emissions - Radiated emissions	EN 61000-6-2 EN 61000-4-2 EN 61000-4-3 EN 61000-4-4 EN 61000-4-5 EN 61000-4-6 EN 61000-4-8 EN 61000-4-11 EN 61000-6-3 CISPR 22 (EN55022), cl. B CISPR 16-2-1 (EN55016-2-1) CISPR 16-2-3 (EN55016-2-3)
Accessories			

Mode of Operation

The B5X-LS4-U is fully programmable via the SH tool. Each push-button can be individually associated to one or more of the functions supported by the smart-house system.

B5X-LS4-U connected to the SH2WEB24

Coding/Addressing

If the light switch module is connected to the SH2WEB24 controller, no addressing is needed since the module is provided with a specific identification number (SIN): the user has only to insert the SIN in the SH tool when creating the system configuration.
Used channels: 4 input channels, 4 output channels.

LED programming

Also the LEDs are config-

urable via SH Tool:

- White LEDs: The 4 white LEDs can be programmed individually as guide light. If the guide light functionality has been activated and a single switch has been associated to a function, then the white LED relevant to that switch will be ON, if the function is OFF, and it will be OFF, if the function is ON.

- Blue LEDs: The 4 blue LEDs can be individually programmed as function status indication. If the Dupline® bus is faulty or missing, the LED will be OFF.

B5X-LS4-U connected to the BH8-CTRLX-230

Coding/Addressing

If the light switch module is connected to the BH8-CTRLX-230 controller,

the user has to program the Dupline® channels using the BGP-COD-BAT: this module has 4 input (push buttons) and 4 output (LEDs) channels.

I/O 1-4: push button 1-4

I/O 5-8: LED 1-4

LED programming

- White LEDs: The 4 white LEDs can be all together programmed as guide light (they will be ON when the light is OFF).

Fail safe bit =0: guide light function disabled.

Fail safe bit=1: guide light function enabled.

The factory setting is fail safe bit=0.

The fail safe bit has to be programmed by the BGP-COD-BAT.

- Blue LEDs: The 4 blue LEDs can be individually programmed as function

status indication.

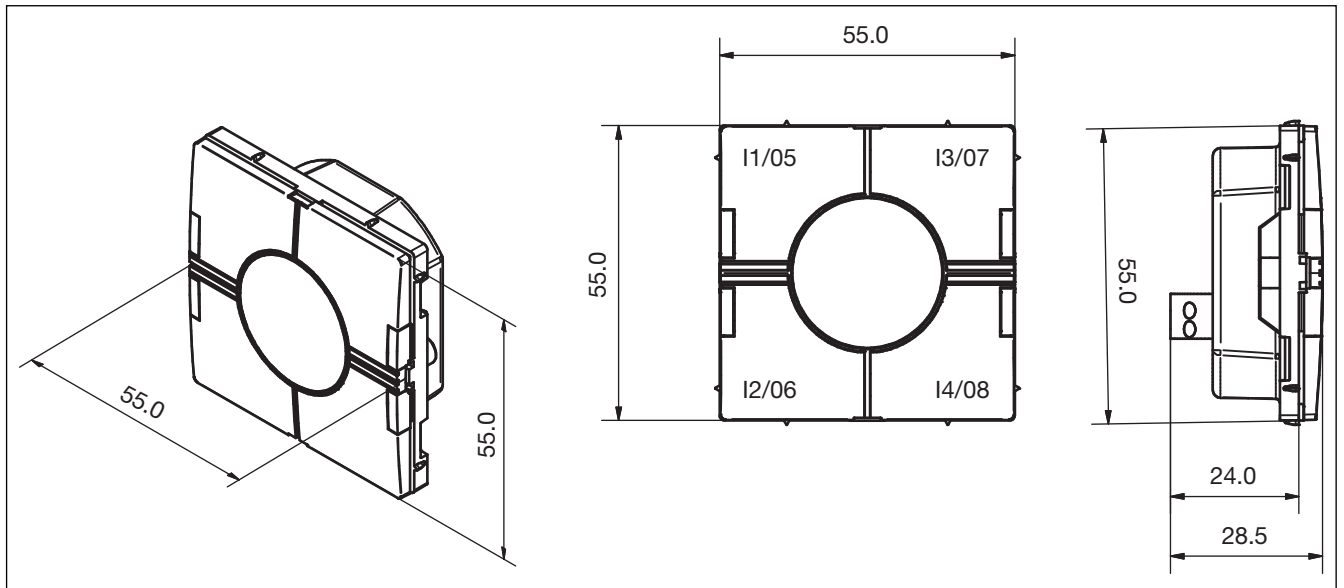
If the Dupline® bus is faulty or missing, the LED will be OFF.

Wall Socket and frame compatible with the Eunica line

The Eunica 55 x 55 light switch can fit into the frame and wall socket listed below: for any other model not included here below, Carlo Gavazzi does not grant any compatibility.

- ELKO
- GIRA
- JUNG.

Dimensions



Wiring Diagrams

