

Proximity Magnetic Sensors Cylindrical Housing FMM Series



- Cylindrical stainless steel or nickel plated brass housing
- M8 diameter
- NO or CO output functions
- Front side switching

Product Description

The cylindrical proximity magnetic sensors of the FMM series are characterized by stainless steel body and small dimensions. They can be mounted

directly on ferromagnetic supports as well; in this situation a reduction in the operating distance may occur due to a loss of magnetic field.

Ordering Key

FMM A 3

Type _____
 Output function _____
 Reed contact type _____

Type Selection

Housing diameter	Connection	Output function	Reference
M8	PVC cable L= 2m	NO	FMM A 3
M8	PVC cable L= 2m	NO	FMM A 6
M8	PVC cable L= 2m	CO	FMM S 1

Diameters are specified in millimeters (mm)

Output Specifications

Output FMMA3, FMMA6 FMMS1	NO Change-over
Contact ratings Max Switching Voltage FMMA3 FMMA6 FMMS1	500 VAC 100 VAC 100 VAC
Max Switching Current FMMA3 FMMA6 FMMS1	0.5 A 0.5 A 0.25 A
Max Switching Power FMMA3 FMMA6 FMMS1	10 VA 10 VA 5 VA

General Specifications

Operating distance	See Operating Distance table
Suitable magnetic unit	See Operating Distance table
Operating temperature	-25 to +70 °C
Degree of protection	IP 67
Housing Diameter Material FMMA3, FMMS1 FMMA6	M8 x 1 mm Stainless steel Nickel plated brass
CE-marking	Yes

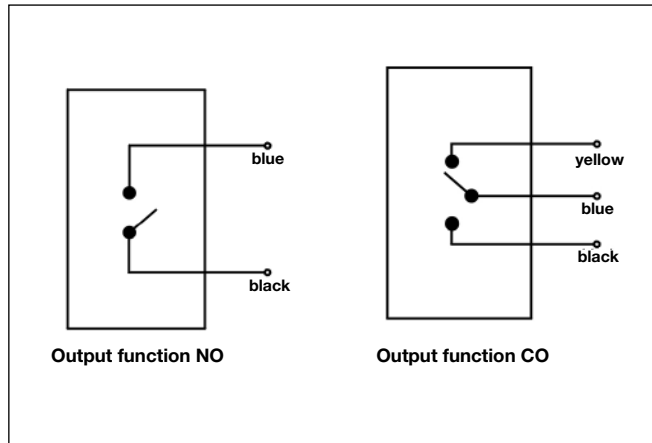
Operating Distance

<u>Magnetic Units</u>	<u>CL10</u>	<u>CL11</u>	<u>CL18</u>	<u>CL20S1</u>	<u>CL20S3</u>	<u>CL23</u>	<u>CL31</u>
FMMS1	8	-	8	17	16	16	23
FMMA3	10	-	10	20	19	18	27
FMMA6	14	-	-	28	27	21	-

Distances are specified in millimeters (mm)

xx: operating distance (for all Output functions).

Wiring Diagrams



Dimensions

